

Sandwich Bar Specification Sheet

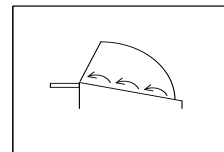
Standard Features

- ✓ Stainless Steel Frames
- ✓ Clear View Curved Glass
- ✓ Top Cooling air Curtain
- ✓ Sloping Pot Area
- ✓ Removable Nylon Cutting Board
- ✓ Choice of Many Standard Laminates
- ✓ Fan Assisted Air Circulation
- ✓ Choice of Castors or Legs
- ✓ New Cabinet Feature for Easy Cleaning
- ✓ Insulated Night Covers
- ✓ Removable Sliding Doors to Canopy
- ✓ Refrigerated Under Storage With Shelf
- ✓ New LED Lighting

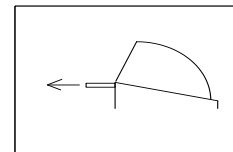


Also Available

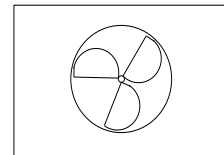
- ✓ New Square Glass Profile
- ✓ Timber and Veneer Finishing
- ✓ Remote Motor Installation
- ✓ Front Rails
- ✓ Matching Till and Benches



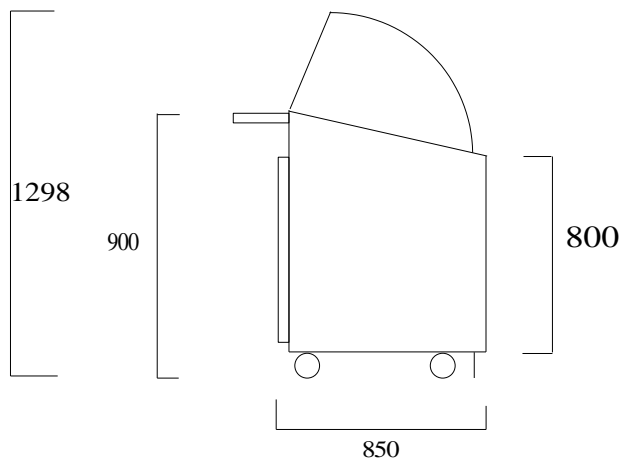
Top air circulation



Removable cutting board



Fan assisted air circulation



Dimensions

- 1200 x 850 x 1298
- 1550 x 850 x 1298
- 1800 x 850 x 1298
- 2400 x 850 x 1298

Power

Sandwich Bars all 10 amp