

Ambient Cabinet Specification Sheet

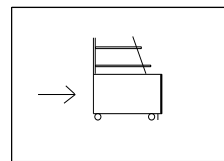
Standard Features

- ✓ Stainless Steel Frames
- ✓ Clear View Curved or Square Glass
- ✓ Non Tilt Tray Sliders
- ✓ Choice of Castors or Legs
- ✓ Top and Front LED Lighting
- ✓ Choice of Many Standard Laminates
- ✓ Chrome Wires Included
- ✓ Easy Glide Rear Doors

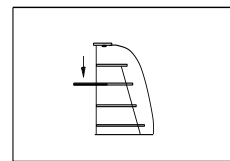


Also Available

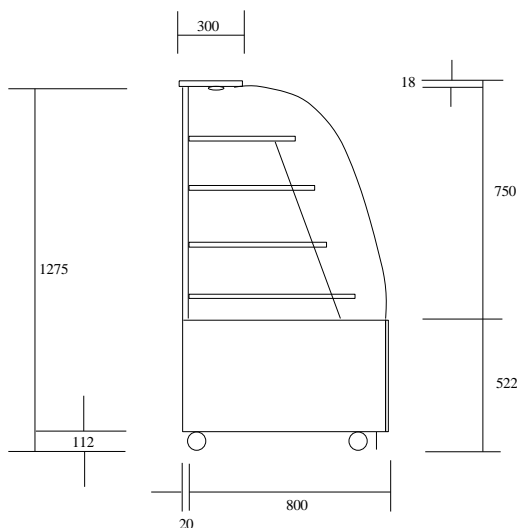
- ✓ Glass Shelving
- ✓ Extra Shelving
- ✓ Timber and Veneer Finishing
- ✓ Extra Wide Tops
- ✓ Front Rails
- ✓ Matching Till and Benches
- ✓ Combination of Modules
- ✓ Under Shelf Lighting



Open rear storage



Non tilt tray supports



Dimensions

- 1 Module: 950 x 820 x 1275
- 1.5 Module: 1100 x 820 x 1275
- 2 Module: 1610 x 820 x 1275
- 3 Module: 2375 x 820 x 1275